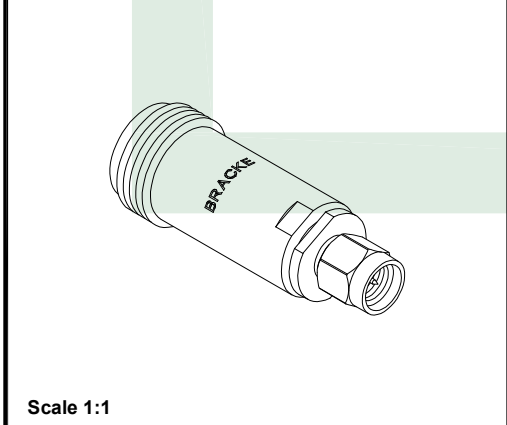
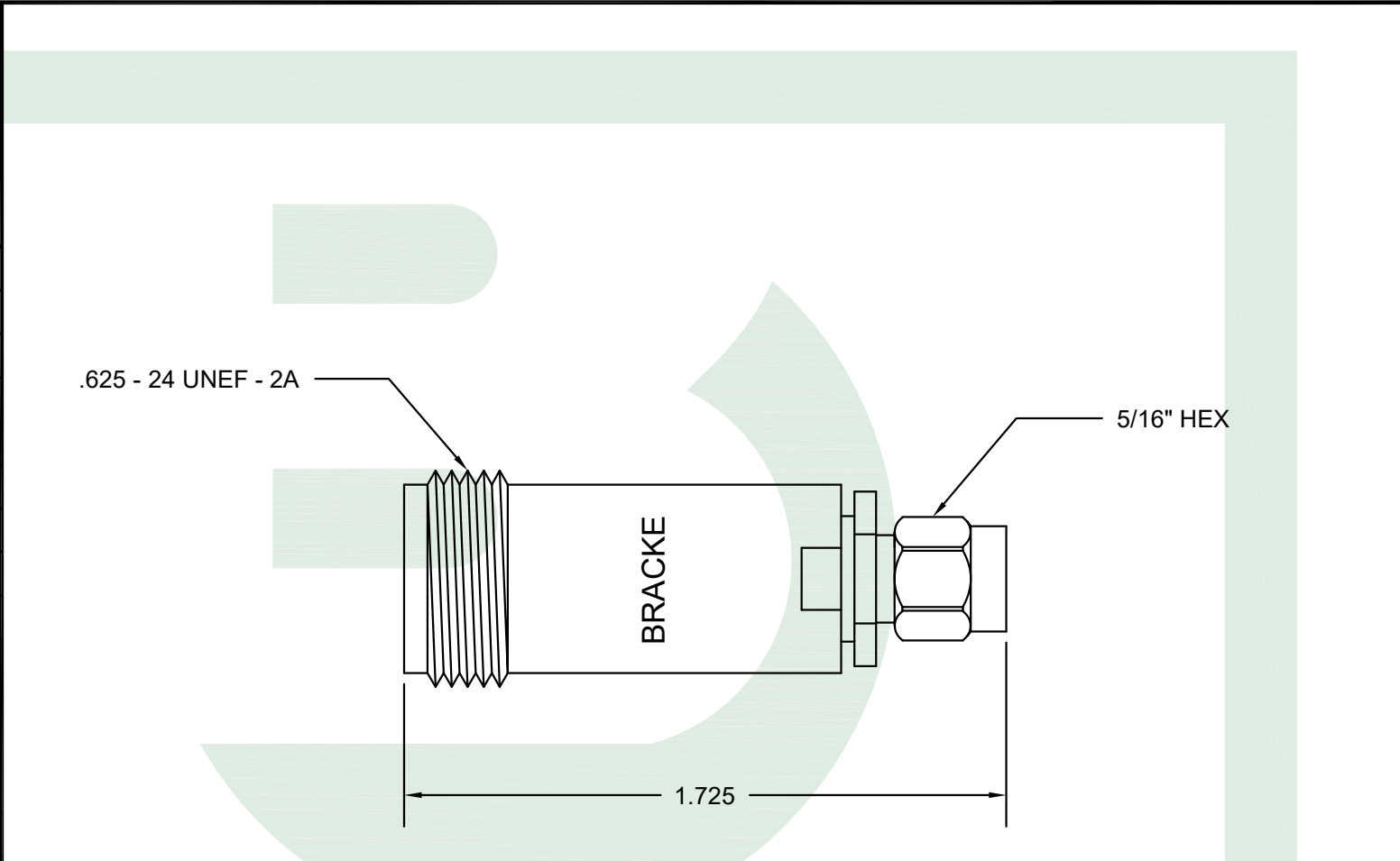



MATERIALS	
BODY	PASSIVATED STAINLESS STEEL
CONTACT	GOLD PLATED
INSULATOR	PTFE
ELECTRICAL & ENVIRONMENTAL CHARACTERISTICS	
IMPEDANCE	50 OHMS
INSULATION RESISTANCE	5000 MΩ
OPERATING FREQUENCY	18 GHz
DIELECTRIC WITHSTANDING VOLTAGE	1500 Vrms
VSWR MAX	1.20:1
INSERTION LOSS MAX	.06 $\sqrt{\text{Freq. GHz}}$
OPERATING TEMPERATURE	-65 to +165 C°
VOLTAGE RATING	500 VOLTS
INTERFACE	MIL-STD-348
VIBRATION	MIL-STD-202 METHOD 204, CONDITION A
CORROSION	MIL-STD-202 METHOD 101, CONDITION B



BRACKE

Bracke Manufacturing, LLC



 <b>Bracke Manufacturing, LLC</b> PO Box 12319 Newport Beach, Ca 92658 Phone (949)756-1600 / Fax (949) 756-1601 sales@brackemfg.com / www.brackemfg.com	Part Number		Description		CAGE / NAGE	
	<b>BM50035</b>				SMA Male to N Female [Precision Adapter]	
	Produced By	Checked By	Notes		Scale	Unit
	002	007			2:1	Inches
<ul style="list-style-type: none"> <li>Bracke Manufacturing, LLC reserves the right to change any specifications at any time in its sole discretion without notice.</li> <li>The depiction above was produced by and is the sole property of Bracke Manufacturing, LLC and may not be copied or reproduced in any manner without Bracke's prior written consent.</li> </ul>				Date	Revision	
				©2023 Bracke Manufacturing, LLC		