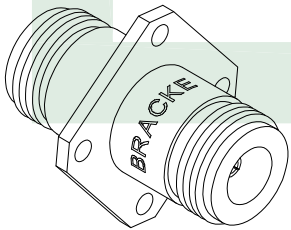
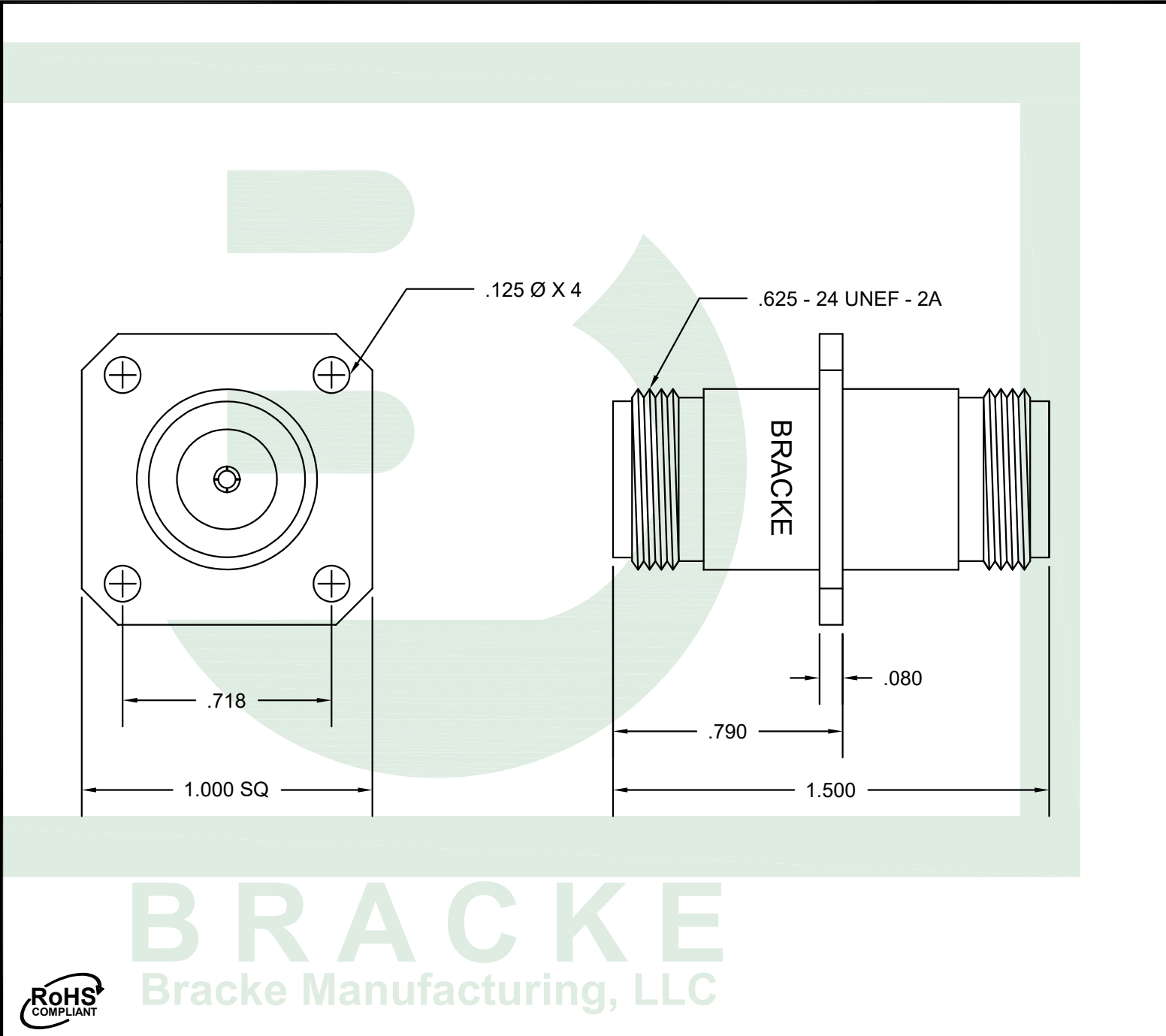


MATERIALS	
BODY	PASSIVATED STAINLESS STEEL
CONTACT	GOLD PLATED
INSULATOR	PTFE
ELECTRICAL & ENVIRONMENTAL CHARACTERISTICS	
IMPEDANCE	50 OHMS
INSULATION RESISTANCE	5000 MΩ
OPERATING FREQUENCY	18 GHz
DIELECTRIC WITHSTANDING VOLTAGE	2500 Vrms
VSWR MAX	1.15:1
INSERTION LOSS MAX	.05 $\sqrt{\text{Freq. GHz}}$
OPERATING TEMPERATURE	-65 to +165 C°
VOLTAGE RATING	1000 VOLTS
INTERFACE	MIL-STD-348
VIBRATION	MIL-STD-202 METHOD 204, CONDITION A
CORROSION	MIL-STD-202 METHOD 101, CONDITION B



Scale 1:1



BRACKE
Bracke Manufacturing, LLC



Bracke Manufacturing, LLC
PO Box 12319
Newport Beach, Ca 92658
Phone (949)756-1600 / Fax (949) 756-1601
sales@brackemfg.com / www.brackemfg.com

Part Number	
BM50007	
Produced By	Checked By
002	007

Description	
N Female to N Female Panel Mount [Prescion Adapter]	
Notes	
<ul style="list-style-type: none"> • Bracke Manufacturing, LLC reserves the right to change any specifications at any time in its sole discretion without notice. • The depiction above was produced by and is the sole property of Bracke Manufacturing, LLC and may not be copied or reproduced in any manner without Bracke's prior written consent. 	
©2023 Bracke Manufacturing, LLC	

CAGE / NAGE	
6LOW2	
Scale	Unit
2:1	Inches
Date	Revision
4/26/2023	A-01