

**Doppelsteg Breitband Hornantenne**  
*Double Ridge Broadband Horn*



**Beschreibung:**

Linear polarisierte Doppelsteg Breitband Hornantenne in Aluminiumausführung für Empfangs- und Sendeanwendungen.

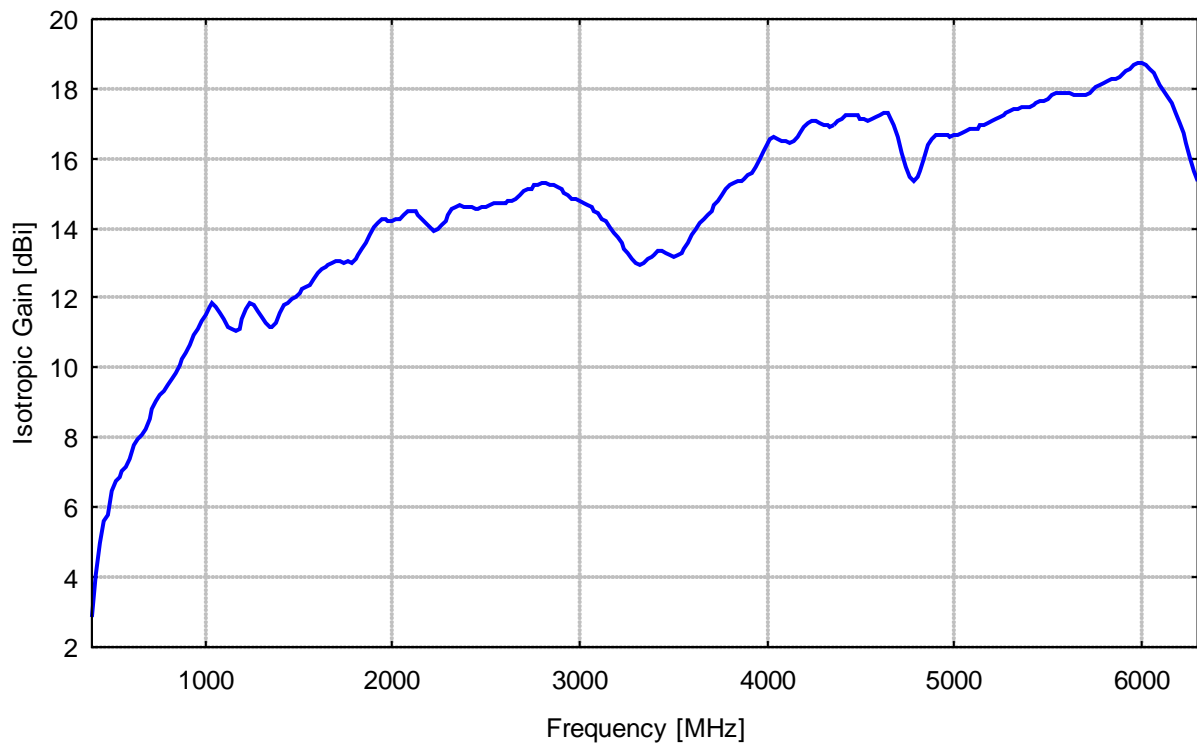
**Description:**

Linear polarized Double Ridge Broadband Horn Antenna (Aluminium) for Receive and Transmit Applications.

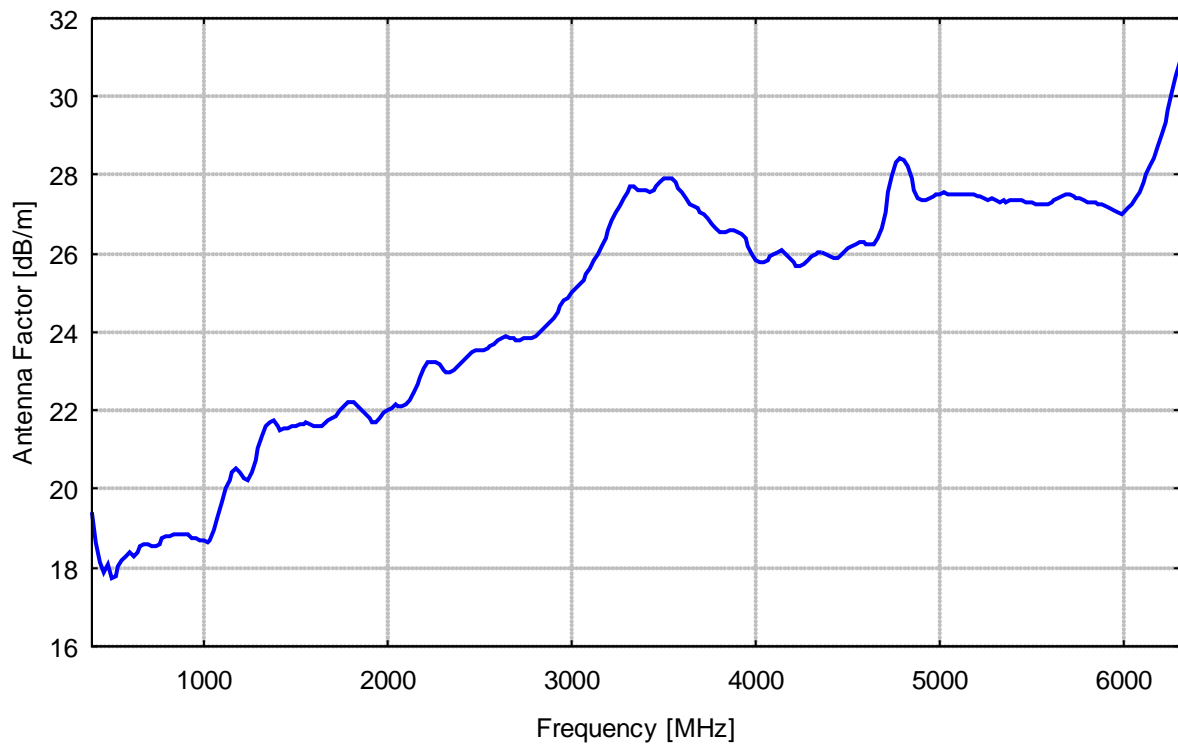
<b>Technische Daten:</b>		<b>Specifications:</b>
Frequenzbereich, nominell:	0.5 GHz...6 GHz	<i>Nominal Frequency Range:</i>
Nutzbarer Frequenzbereich:	0.5 GHz ... 8 GHz	<i>Usable Frequency Range:</i>
Isotropgewinn:	6 ... 18 dBi	<i>Isotropic Gain:</i>
Antennenfaktor:	19 ... 29 dB/m	<i>Antenna Factor:</i>
Impedanz, nominell:	50 Ω	<i>Nominal Impedance:</i>
Stehwellenverhältnis SWR typisch:	< 2	<i>Standing Wave Ratio SWR typical:</i>
3 dB Öffnungswinkel typ.(E-Ebene):	82°-16°	<i>3 dB Beamwidth typ. (E-Plane):</i>
3 dB Öffnungswinkel typ.(H-Ebene):	70°-11°	<i>3 dB Beamwidth typ. (H-Plane):</i>
Max. Eingangsleistung:	<i>see diagram</i> siehe Diagramm	<i>Max. Input Power:</i>
Anschlußart: N-Buchse		<i>N-Connector female</i>
Halterung: 22 mm Rohr, Rastring		<i>Mount: 22 mm Tube, Indexing Ring</i>
Breite x Länge x Dicke:	424 x 605 (820) x 314 mm	<i>Width x Length x Thickness:</i>
Gewicht:	4.1 kg	<i>Weight:</i>



Isotropgewinn



Antennen-Wandlungsmaß



Frequency	Gain(Isotr.) farfield	Ant.-Factor farfield	Gain(Isotr.) 1 m Ap.	Ant.-Factor 1 m Ap.	Gain(Isotr.) 3 m Ap.	Ant.-Factor 3 m Ap.
MHz	dBi	dB/m	dBi	dB/m	dBi	dB/m
400.00	2.86	19.40	2.51	19.75	3.16	19.10
420.00	4.05	18.64	3.55	19.13	4.10	18.58
440.00	4.97	18.12	4.38	18.71	4.93	18.16
460.00	5.58	17.89	4.93	18.54	5.39	18.09
480.00	5.79	18.06	5.28	18.57	5.41	18.44
500.00	6.48	17.72	5.63	18.57	5.74	18.46
520.00	6.78	17.76	6.04	18.50	6.05	18.49
540.00	6.85	18.02	6.34	18.53	6.44	18.43
560.00	7.02	18.17	6.68	18.51	6.92	18.27
580.00	7.18	18.31	7.05	18.44	7.25	18.24
600.00	7.39	18.39	7.39	18.40	7.57	18.21
620.00	7.79	18.28	7.60	18.46	7.89	18.18
640.00	7.98	18.37	7.72	18.62	8.18	18.16
660.00	8.06	18.55	7.84	18.77	8.32	18.30
680.00	8.27	18.60	8.01	18.86	8.39	18.48
700.00	8.55	18.57	8.17	18.95	8.45	18.67
720.00	8.82	18.54	8.31	19.05	8.62	18.74
740.00	9.05	18.56	8.45	19.16	8.84	18.77
760.00	9.24	18.60	8.64	19.19	9.02	18.82
780.00	9.33	18.74	8.86	19.20	9.09	18.97
800.00	9.50	18.78	9.09	19.20	9.35	18.93
820.00	9.70	18.80	9.29	19.20	9.63	18.87
840.00	9.86	18.84	9.48	19.23	9.85	18.86
860.00	10.07	18.84	9.65	19.26	10.10	18.81
880.00	10.27	18.84	9.86	19.25	10.32	18.79
900.00	10.45	18.86	10.05	19.25	10.55	18.75
920.00	10.67	18.83	10.25	19.25	10.73	18.76
940.00	10.93	18.75	10.44	19.25	10.91	18.78
960.00	11.11	18.76	10.63	19.23	11.10	18.77
980.00	11.34	18.70	10.84	19.21	11.34	18.71
1000.00	11.52	18.70	11.02	19.20	11.50	18.72
1020.00	11.74	18.66	11.19	19.20	11.67	18.72
1040.00	11.84	18.72	11.22	19.34	11.74	18.82
1060.00	11.76	18.96	11.10	19.63	11.70	19.02
1080.00	11.57	19.32	10.84	20.05	11.47	19.42
1100.00	11.37	19.68	10.61	20.44	11.29	19.76
1120.00	11.17	20.03	10.46	20.74	11.12	20.09
1140.00	11.13	20.23	10.35	21.01	11.07	20.29
1160.00	11.06	20.45	10.21	21.30	11.01	20.50
1180.00	11.12	20.54	10.31	21.34	11.09	20.57
1200.00	11.40	20.41	10.57	21.23	11.32	20.49
1220.00	11.66	20.29	10.81	21.13	11.60	20.35
1240.00	11.85	20.24	10.89	21.20	11.65	20.44
1260.00	11.79	20.44	10.83	21.40	11.58	20.64
1280.00	11.61	20.75	10.66	21.70	11.40	20.97
1300.00	11.44	21.06	10.53	21.97	11.30	21.20
1320.00	11.28	21.35	10.39	22.24	11.15	21.48
1340.00	11.16	21.60	10.24	22.52	11.01	21.75
1360.00	11.18	21.71	10.26	22.63	11.05	21.84
1380.00	11.29	21.73	10.44	22.57	11.28	21.73
1400.00	11.55	21.59	10.56	22.58	11.48	21.66
1420.00	11.78	21.49	10.70	22.56	11.64	21.63
1440.00	11.86	21.53	10.89	22.50	11.67	21.72

Frequency	Gain(Isotr.) farfield	Ant.-Factor farfield	Gain(Isotr.) 1 m Ap.	Ant.-Factor 1 m Ap.	Gain(Isotr.) 3 m Ap.	Ant.-Factor 3 m Ap.
MHz	dBi	dB/m	dBi	dB/m	dBi	dB/m
1460.00	11.98	21.53	10.96	22.54	11.77	21.74
1480.00	12.04	21.59	11.10	22.52	11.93	21.70
1500.00	12.12	21.62	11.29	22.45	12.03	21.71
1520.00	12.23	21.63	11.37	22.48	12.13	21.73
1540.00	12.31	21.66	11.51	22.46	12.25	21.72
1560.00	12.37	21.71	11.74	22.35	12.35	21.74
1580.00	12.55	21.64	11.87	22.32	12.55	21.64
1600.00	12.72	21.58	11.89	22.41	12.71	21.60
1620.00	12.83	21.58	11.98	22.43	12.82	21.59
1640.00	12.90	21.62	12.07	22.45	12.86	21.66
1660.00	12.93	21.69	12.01	22.61	12.84	21.78
1680.00	13.00	21.73	12.01	22.72	12.86	21.86
1700.00	13.05	21.78	12.00	22.83	12.92	21.91
1720.00	13.06	21.87	11.94	22.99	12.93	22.00
1740.00	13.02	22.01	12.03	23.00	12.89	22.14
1760.00	13.04	22.09	12.09	23.04	12.88	22.25
1780.00	13.03	22.20	11.99	23.24	12.96	22.27
1800.00	13.09	22.23	12.14	23.18	13.09	22.23
1820.00	13.21	22.21	12.46	22.96	13.26	22.16
1840.00	13.39	22.13	12.59	22.92	13.44	22.07
1860.00	13.60	22.01	12.74	22.87	13.67	21.94
1880.00	13.82	21.89	12.96	22.75	13.87	21.83
1900.00	14.01	21.79	13.06	22.74	14.00	21.79
1920.00	14.16	21.72	13.11	22.77	14.05	21.84
1940.00	14.25	21.72	13.11	22.87	14.04	21.93
1960.00	14.24	21.82	12.90	23.16	14.01	22.05
1980.00	14.21	21.94	12.79	23.36	13.97	22.18
2000.00	14.22	22.02	12.84	23.40	13.95	22.29
2020.00	14.25	22.08	12.81	23.52	13.96	22.36
2040.00	14.27	22.14	12.79	23.63	14.03	22.38
2060.00	14.38	22.12	12.94	23.55	14.23	22.27
2080.00	14.47	22.11	13.12	23.46	14.36	22.22
2100.00	14.51	22.15	13.15	23.51	14.45	22.21
2120.00	14.48	22.27	13.11	23.64	14.45	22.30
2140.00	14.38	22.45	12.95	23.88	14.35	22.48
2160.00	14.24	22.67	12.72	24.19	14.21	22.70
2180.00	14.15	22.84	12.62	24.37	14.06	22.93
2200.00	14.01	23.06	12.50	24.56	13.89	23.17
2220.00	13.93	23.22	12.28	24.86	13.81	23.34
2240.00	13.98	23.25	12.37	24.86	13.79	23.43
2260.00	14.07	23.23	12.57	24.73	13.91	23.40
2280.00	14.22	23.16	12.68	24.70	14.05	23.33
2300.00	14.40	23.05	12.88	24.57	14.24	23.22
2320.00	14.54	22.99	13.02	24.51	14.38	23.15
2340.00	14.62	22.99	13.05	24.56	14.44	23.16
2360.00	14.65	23.03	13.12	24.56	14.50	23.18
2380.00	14.62	23.14	13.08	24.67	14.48	23.27
2400.00	14.60	23.22	12.96	24.86	14.45	23.38
2420.00	14.58	23.31	13.00	24.90	14.45	23.45
2440.00	14.57	23.40	13.03	24.93	14.44	23.53
2460.00	14.57	23.47	12.97	25.07	14.48	23.56
2480.00	14.58	23.53	12.99	25.12	14.48	23.62
2500.00	14.63	23.55	13.04	25.14	14.49	23.69
2520.00	14.68	23.56	12.99	25.25	14.49	23.76

Frequency	Gain(Isotr.) farfield	Ant.-Factor farfield	Gain(Isotr.) 1 m Ap.	Ant.-Factor 1 m Ap.	Gain(Isotr.) 3 m Ap.	Ant.-Factor 3 m Ap.
MHz	dBi	dB/m	dBi	dB/m	dBi	dB/m
2540.00	14.73	23.59	13.05	25.26	14.51	23.81
2560.00	14.75	23.64	13.08	25.31	14.54	23.84
2580.00	14.75	23.71	12.95	25.51	14.51	23.94
2600.00	14.75	23.77	13.02	25.50	14.50	24.02
2620.00	14.76	23.83	13.09	25.50	14.51	24.08
2640.00	14.77	23.88	13.03	25.62	14.55	24.10
2660.00	14.85	23.86	13.26	25.46	14.72	24.00
2680.00	14.96	23.83	13.38	25.40	14.79	23.99
2700.00	15.04	23.81	13.39	25.46	14.88	23.97
2720.00	15.10	23.81	13.60	25.31	14.96	23.95
2740.00	15.14	23.84	13.62	25.35	15.00	23.97
2760.00	15.21	23.83	13.53	25.51	15.08	23.95
2780.00	15.24	23.86	13.68	25.43	15.09	24.01
2800.00	15.27	23.89	13.64	25.52	15.11	24.05
2820.00	15.29	23.93	13.46	25.77	15.13	24.10
2840.00	15.26	24.03	13.52	25.76	15.08	24.21
2860.00	15.21	24.13	13.43	25.92	15.08	24.27
2880.00	15.18	24.23	13.17	26.24	14.98	24.42
2900.00	15.11	24.35	13.23	26.23	14.89	24.58
2920.00	15.03	24.49	13.16	26.37	14.80	24.73
2940.00	14.94	24.64	12.88	26.70	14.69	24.90
2960.00	14.85	24.80	13.03	26.62	14.65	24.99
2980.00	14.82	24.88	12.96	26.74	14.58	25.13
3000.00	14.76	25.01	12.68	27.08	14.54	25.23
3020.00	14.71	25.11	12.93	26.89	14.54	25.28
3040.00	14.68	25.20	12.89	26.99	14.48	25.40
3060.00	14.62	25.31	12.52	27.42	14.49	25.44
3080.00	14.52	25.47	12.60	27.39	14.36	25.63
3100.00	14.42	25.62	12.48	27.57	14.22	25.83
3120.00	14.28	25.82	12.05	28.06	14.06	26.04
3140.00	14.18	25.98	12.13	28.03	13.85	26.31
3160.00	14.02	26.20	11.97	28.25	13.72	26.50
3180.00	13.88	26.39	11.57	28.70	13.57	26.70
3200.00	13.75	26.57	11.70	28.62	13.39	26.93
3220.00	13.55	26.83	11.53	28.85	13.28	27.09
3240.00	13.39	27.04	11.07	29.36	13.10	27.33
3260.00	13.29	27.19	11.21	29.28	13.04	27.44
3280.00	13.13	27.40	11.15	29.39	12.89	27.65
3300.00	13.03	27.56	10.69	29.90	12.82	27.77
3320.00	12.95	27.70	10.83	29.81	12.78	27.86
3340.00	12.98	27.72	11.02	29.67	12.76	27.94
3360.00	13.12	27.63	10.94	29.80	12.86	27.89
3380.00	13.17	27.63	11.25	29.55	12.90	27.90
3400.00	13.24	27.61	11.39	29.46	12.94	27.91
3420.00	13.36	27.54	11.21	29.69	13.03	27.87
3440.00	13.36	27.59	11.43	29.52	12.96	27.99
3460.00	13.31	27.70	11.53	29.48	12.96	28.05
3480.00	13.24	27.81	11.25	29.80	12.89	28.16
3500.00	13.17	27.93	11.45	29.65	12.87	28.23
3520.00	13.21	27.94	11.76	29.39	12.99	28.16
3540.00	13.30	27.90	11.80	29.40	13.10	28.10
3560.00	13.42	27.83	12.09	29.16	13.26	27.99
3580.00	13.60	27.69	12.42	28.88	13.46	27.84
3600.00	13.78	27.56	12.54	28.81	13.66	27.68

Frequency	Gain(Isotr.) farfield	Ant.-Factor farfield	Gain(Isotr.) 1 m Ap.	Ant.-Factor 1 m Ap.	Gain(Isotr.) 3 m Ap.	Ant.-Factor 3 m Ap.
MHz	dBi	dB/m	dBi	dB/m	dBi	dB/m
3620.00	13.99	27.40	12.82	28.57	13.87	27.52
3640.00	14.16	27.28	13.04	28.40	13.99	27.45
3660.00	14.28	27.21	12.95	28.54	14.11	27.38
3680.00	14.40	27.14	13.07	28.47	14.18	27.35
3700.00	14.52	27.07	13.35	28.23	14.32	27.26
3720.00	14.64	26.99	13.38	28.25	14.46	27.17
3740.00	14.80	26.88	13.47	28.21	14.60	27.08
3760.00	14.97	26.75	13.70	28.02	14.80	26.93
3780.00	15.14	26.63	13.78	27.99	14.97	26.80
3800.00	15.26	26.55	13.87	27.95	15.11	26.71
3820.00	15.32	26.54	14.01	27.85	15.19	26.67
3840.00	15.36	26.55	13.92	27.98	15.22	26.69
3860.00	15.38	26.57	13.91	28.04	15.24	26.71
3880.00	15.43	26.57	14.16	27.84	15.26	26.73
3900.00	15.51	26.53	14.19	27.85	15.33	26.72
3920.00	15.59	26.50	14.20	27.88	15.42	26.67
3940.00	15.76	26.37	14.47	27.66	15.58	26.55
3960.00	15.98	26.19	14.70	27.47	15.82	26.36
3980.00	16.21	26.00	14.80	27.42	16.04	26.18
4000.00	16.43	25.83	14.94	27.32	16.25	26.02
4020.00	16.55	25.76	15.00	27.31	16.35	25.95
4040.00	16.59	25.76	14.90	27.44	16.40	25.94
4060.00	16.56	25.83	14.91	27.48	16.37	26.02
4080.00	16.51	25.92	14.90	27.54	16.32	26.11
4100.00	16.48	26.00	14.66	27.81	16.27	26.20
4120.00	16.46	26.05	14.71	27.81	16.25	26.27
4140.00	16.50	26.06	14.95	27.61	16.31	26.25
4160.00	16.61	25.99	14.88	27.72	16.42	26.18
4180.00	16.75	25.89	14.95	27.69	16.56	26.08
4200.00	16.92	25.77	15.17	27.52	16.72	25.96
4220.00	17.04	25.68	15.11	27.62	16.81	25.91
4240.00	17.09	25.67	15.11	27.65	16.87	25.89
4260.00	17.09	25.72	15.17	27.64	16.84	25.96
4280.00	17.02	25.83	14.90	27.95	16.80	26.05
4300.00	16.96	25.93	14.80	28.09	16.73	26.16
4320.00	16.93	26.00	14.98	27.95	16.68	26.25
4340.00	16.92	26.05	14.86	28.11	16.70	26.27
4360.00	16.97	26.04	14.81	28.20	16.74	26.27
4380.00	17.05	26.00	15.02	28.02	16.82	26.23
4400.00	17.14	25.95	15.06	28.03	16.91	26.18
4420.00	17.23	25.90	15.03	28.10	16.98	26.15
4440.00	17.27	25.90	15.06	28.11	17.05	26.12
4460.00	17.27	25.94	14.96	28.25	17.00	26.20
4480.00	17.22	26.02	14.80	28.45	16.97	26.27
4500.00	17.14	26.14	14.78	28.50	16.87	26.42
4520.00	17.12	26.20	14.73	28.59	16.85	26.47
4540.00	17.10	26.26	14.52	28.84	16.82	26.54
4560.00	17.11	26.29	14.57	28.83	16.82	26.58
4580.00	17.17	26.27	14.79	28.65	16.84	26.59
4600.00	17.22	26.26	14.65	28.82	16.90	26.58
4620.00	17.29	26.22	14.61	28.90	16.94	26.58
4640.00	17.31	26.24	14.72	28.83	16.95	26.60
4660.00	17.18	26.40	14.46	29.13	16.80	26.79
4680.00	16.97	26.66	14.14	29.49	16.59	27.04

Frequency	Gain(Isotr.) farfield	Ant.-Factor farfield	Gain(Isotr.) 1 m Ap.	Ant.-Factor 1 m Ap.	Gain(Isotr.) 3 m Ap.	Ant.-Factor 3 m Ap.
MHz	dBi	dB/m	dBi	dB/m	dBi	dB/m
4700.00	16.61	27.06	13.77	29.89	16.18	27.48
4720.00	16.16	27.54	13.16	30.54	15.75	27.95
4740.00	15.76	27.98	12.77	30.97	15.39	28.35
4760.00	15.45	28.32	12.94	30.83	15.13	28.64
4780.00	15.38	28.42	12.95	30.85	15.03	28.78
4800.00	15.45	28.39	12.86	30.98	15.16	28.69
4820.00	15.65	28.23	13.48	30.40	15.37	28.52
4840.00	16.01	27.91	14.03	29.89	15.73	28.19
4860.00	16.36	27.60	14.00	29.95	16.07	27.88
4880.00	16.56	27.43	14.32	29.67	16.25	27.74
4900.00	16.66	27.36	14.49	29.53	16.35	27.67
4920.00	16.68	27.38	14.06	30.00	16.34	27.71
4940.00	16.67	27.42	14.30	29.80	16.27	27.82
4960.00	16.65	27.48	14.46	29.67	16.31	27.82
4980.00	16.64	27.52	14.05	30.11	16.25	27.91
5000.00	16.67	27.53	14.36	29.84	16.33	27.87
5020.00	16.69	27.54	14.68	29.56	16.34	27.89
5040.00	16.74	27.53	14.34	29.93	16.40	27.87
5060.00	16.79	27.51	14.62	29.68	16.48	27.83
5080.00	16.83	27.51	14.96	29.38	16.49	27.85
5100.00	16.85	27.53	14.63	29.74	16.54	27.83
5120.00	16.87	27.53	14.79	29.61	16.55	27.85
5140.00	16.93	27.51	15.20	29.24	16.59	27.85
5160.00	16.96	27.51	14.95	29.53	16.65	27.82
5180.00	17.00	27.50	15.07	29.44	16.66	27.85
5200.00	17.07	27.47	15.40	29.14	16.77	27.77
5220.00	17.11	27.46	15.23	29.34	16.81	27.76
5240.00	17.19	27.42	15.32	29.28	16.91	27.70
5260.00	17.27	27.37	15.65	28.99	17.00	27.64
5280.00	17.29	27.39	15.53	29.15	17.04	27.63
5300.00	17.35	27.36	15.47	29.23	17.13	27.58
5320.00	17.40	27.33	15.76	28.97	17.16	27.58
5340.00	17.43	27.34	15.69	29.08	17.22	27.55
5360.00	17.48	27.33	15.50	29.31	17.25	27.55
5380.00	17.49	27.35	15.71	29.12	17.24	27.59
5400.00	17.49	27.38	15.65	29.22	17.27	27.59
5420.00	17.53	27.37	15.46	29.44	17.27	27.63
5440.00	17.57	27.36	15.72	29.22	17.33	27.60
5460.00	17.63	27.33	15.70	29.27	17.37	27.59
5480.00	17.67	27.33	15.55	29.45	17.41	27.59
5500.00	17.71	27.32	15.81	29.22	17.47	27.56
5520.00	17.80	27.26	15.82	29.24	17.50	27.56
5540.00	17.85	27.24	15.65	29.44	17.59	27.50
5560.00	17.88	27.24	15.77	29.35	17.60	27.52
5580.00	17.88	27.27	15.73	29.42	17.59	27.56
5600.00	17.87	27.32	15.53	29.66	17.59	27.60
5620.00	17.85	27.36	15.59	29.62	17.55	27.66
5640.00	17.83	27.41	15.54	29.71	17.56	27.68
5660.00	17.82	27.46	15.36	29.91	17.55	27.73
5680.00	17.82	27.49	15.50	29.80	17.54	27.76
5700.00	17.83	27.51	15.56	29.78	17.58	27.75
5720.00	17.89	27.48	15.48	29.88	17.63	27.74
5740.00	17.97	27.43	15.58	29.81	17.70	27.70
5760.00	18.03	27.40	15.67	29.76	17.76	27.66

Frequency	Gain(Isotr.) farfield	Ant.-Factor farfield	Gain(Isotr.) 1 m Ap.	Ant.-Factor 1 m Ap.	Gain(Isotr.) 3 m Ap.	Ant.-Factor 3 m Ap.
MHz	dBi	dB/m	dBi	dB/m	dBi	dB/m
5780.00	18.10	27.36	15.64	29.82	17.82	27.63
5800.00	18.16	27.33	15.63	29.86	17.86	27.62
5820.00	18.21	27.31	15.65	29.86	17.91	27.61
5840.00	18.25	27.29	15.64	29.91	17.93	27.61
5860.00	18.30	27.28	15.57	30.01	17.97	27.61
5880.00	18.34	27.27	15.70	29.91	18.03	27.58
5900.00	18.42	27.22	15.79	29.85	18.06	27.58
5920.00	18.53	27.14	15.66	30.01	18.18	27.49
5940.00	18.59	27.11	15.86	29.83	18.21	27.48
5960.00	18.66	27.07	15.99	29.73	18.30	27.42
5980.00	18.74	27.01	15.74	30.02	18.35	27.40
6000.00	18.74	27.04	15.85	29.93	18.29	27.49
6020.00	18.66	27.15	15.77	30.05	18.28	27.53
6040.00	18.57	27.27	15.30	30.54	18.14	27.70
6060.00	18.47	27.40	15.40	30.47	17.93	27.94
6080.00	18.33	27.56	15.26	30.63	17.85	28.05
6100.00	18.12	27.80	14.65	31.27	17.56	28.37
6120.00	17.92	28.03	14.64	31.31	17.42	28.53
6140.00	17.76	28.22	14.55	31.43	17.22	28.76
6160.00	17.56	28.45	14.06	31.95	16.93	29.08
6180.00	17.33	28.71	13.91	32.13	16.77	29.26
6200.00	17.04	29.03	13.62	32.44	16.50	29.57
6220.00	16.75	29.35	12.98	33.11	16.18	29.92
6240.00	16.46	29.67	12.74	33.38	15.91	30.21
6260.00	16.05	30.10	12.47	33.68	15.44	30.71
6280.00	15.64	30.54	11.58	34.60	15.12	31.06
6300.00	15.34	30.87	11.14	35.06	14.69	31.52

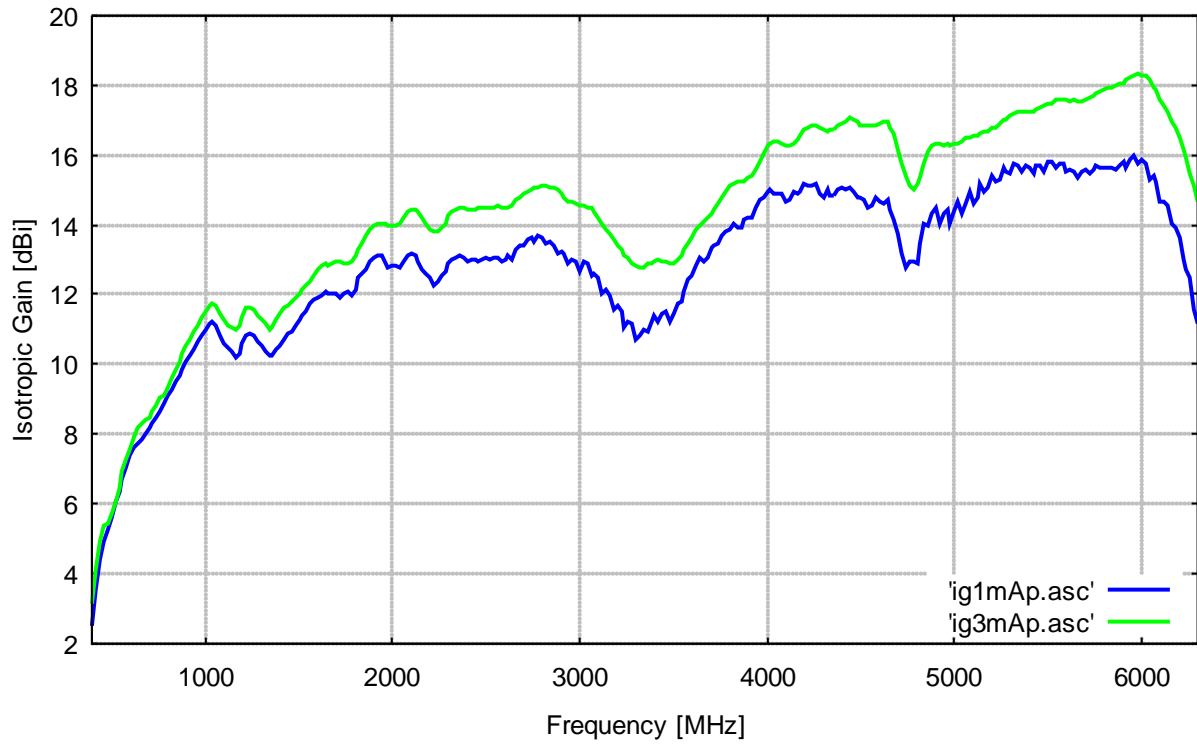
Kalibrierbezugspunkt:  
Apertur

*Calibration Reference Point:*  
*Aperture*

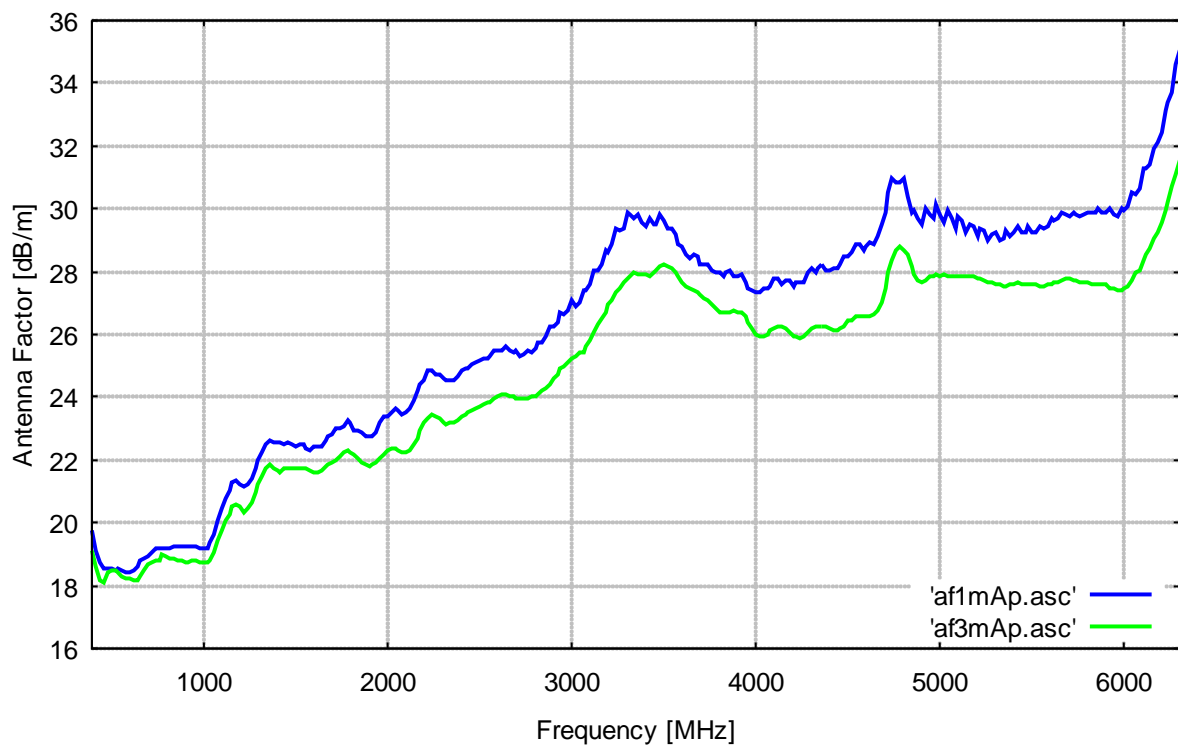


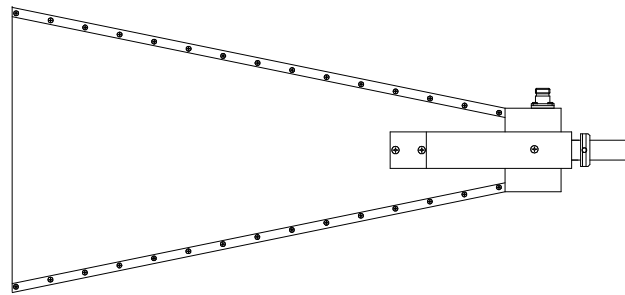
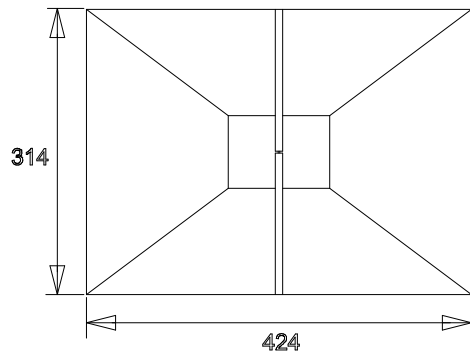
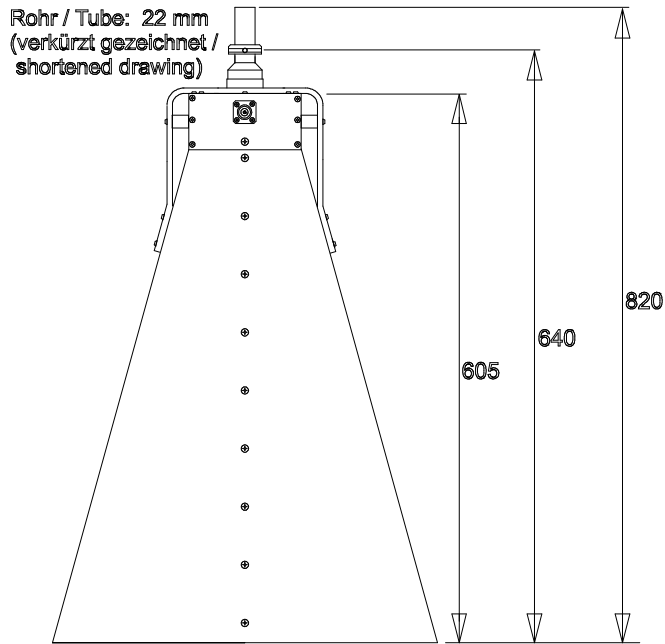


Isotropgewinn



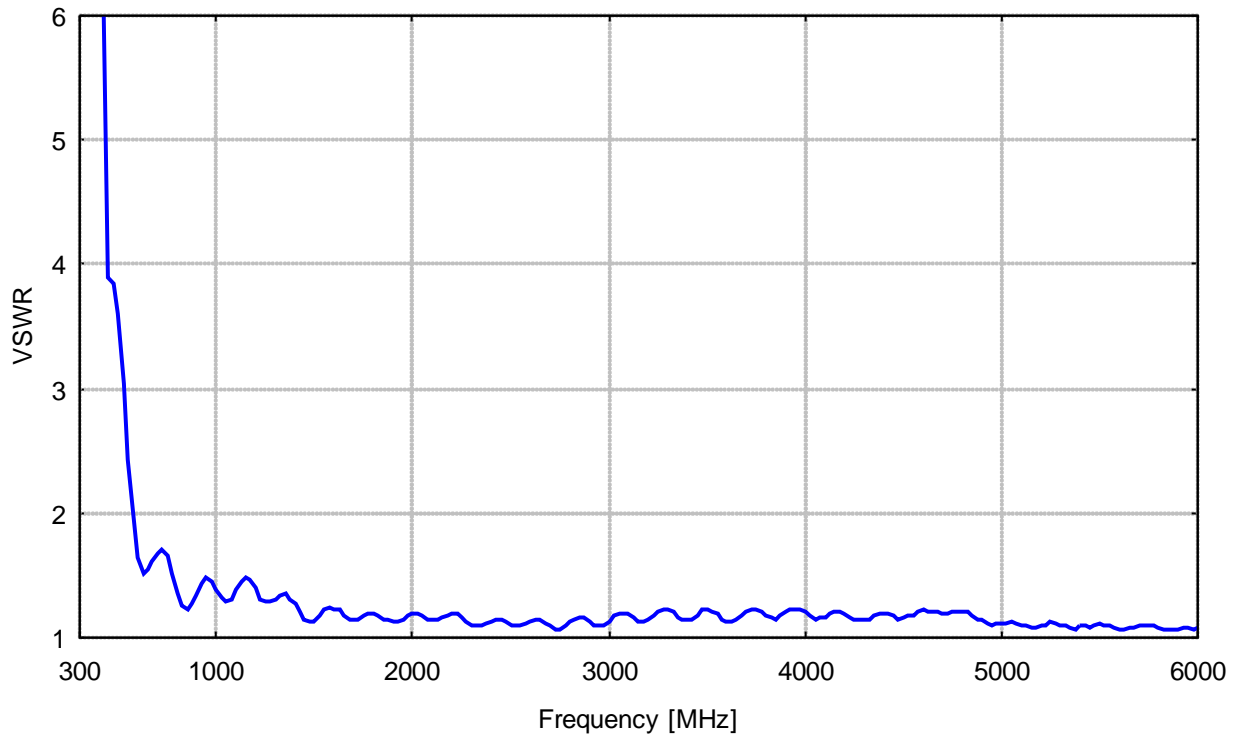
Antennen-Wandlungsmaß



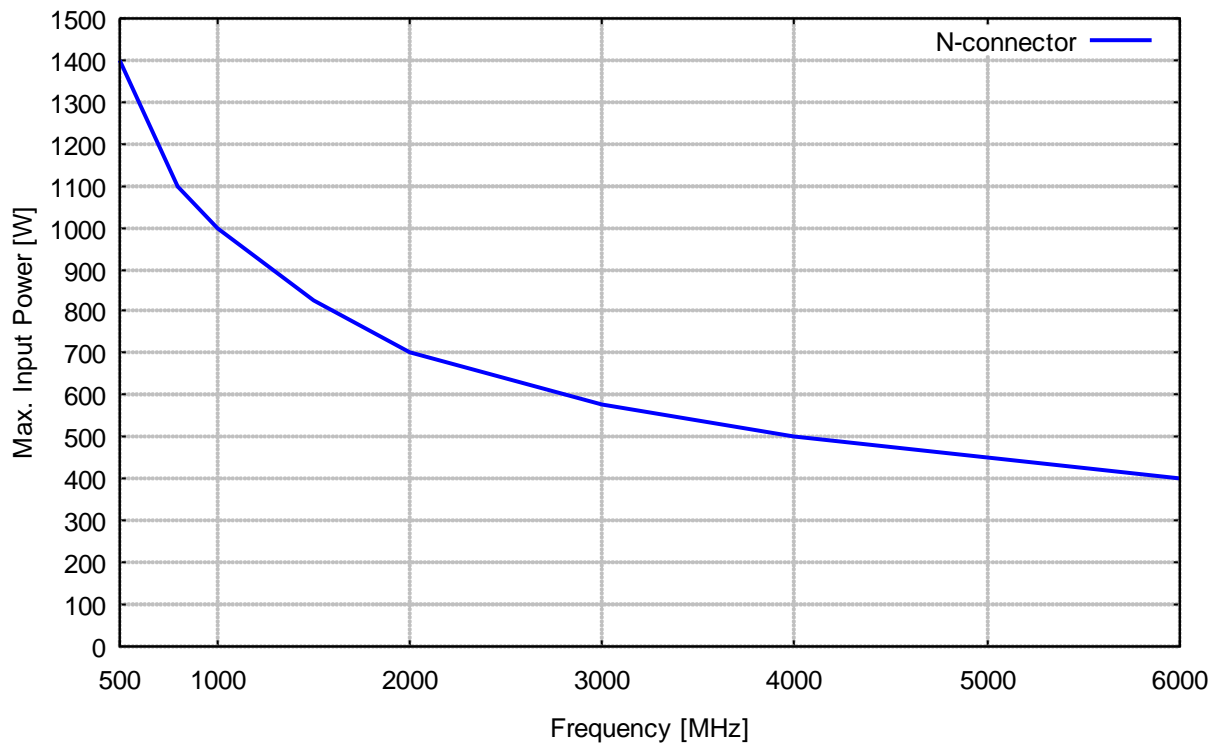




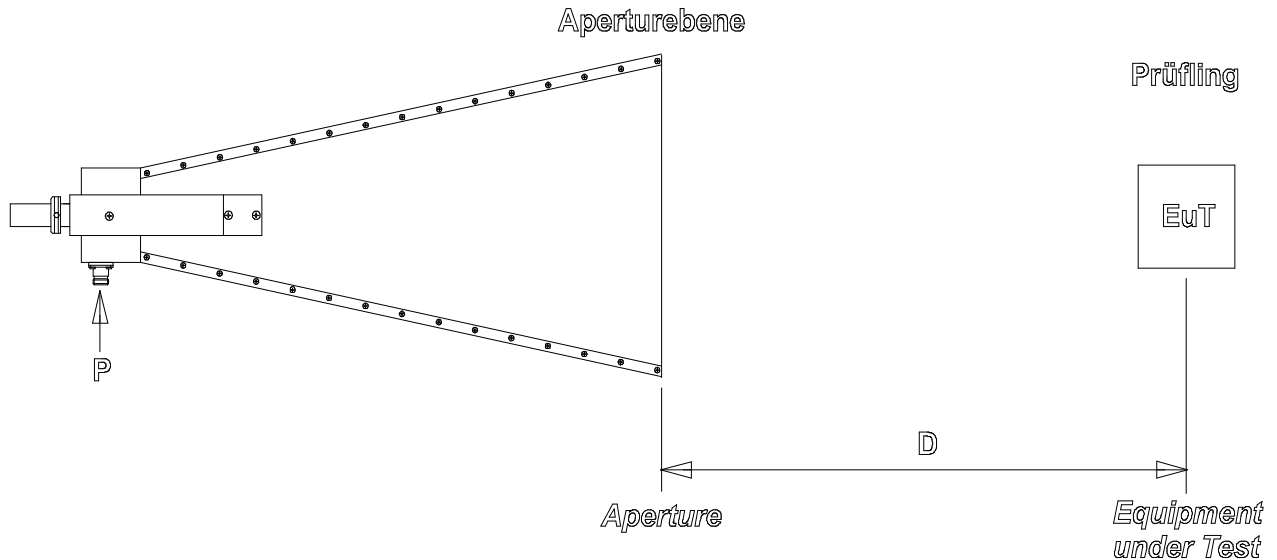
VSWR



Maximale Eingangsleistung



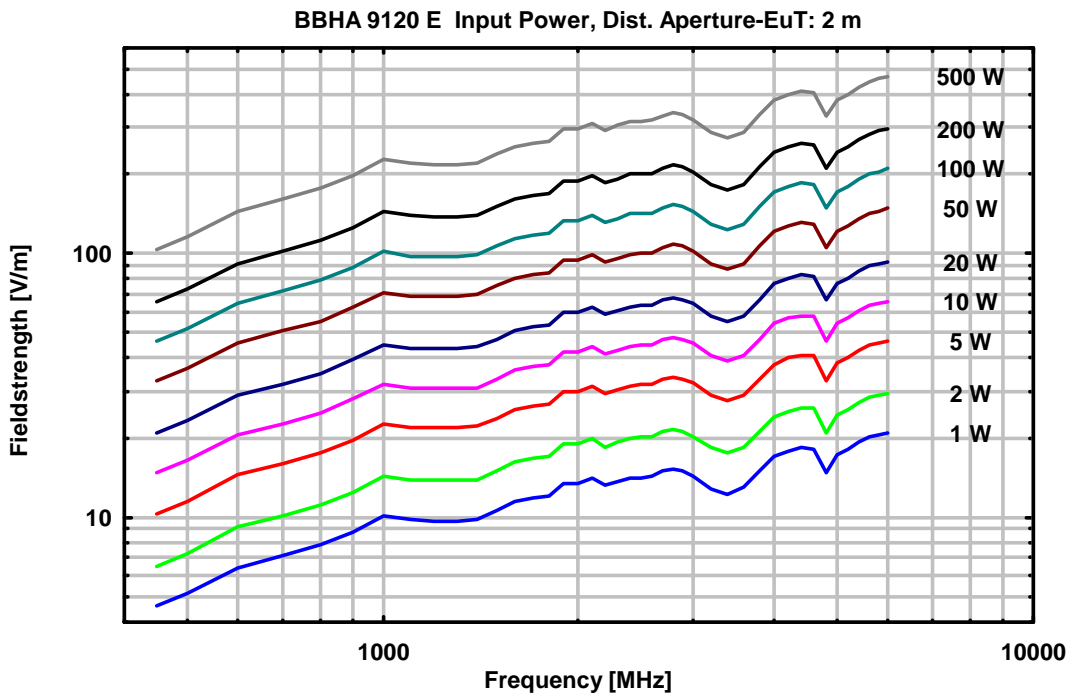
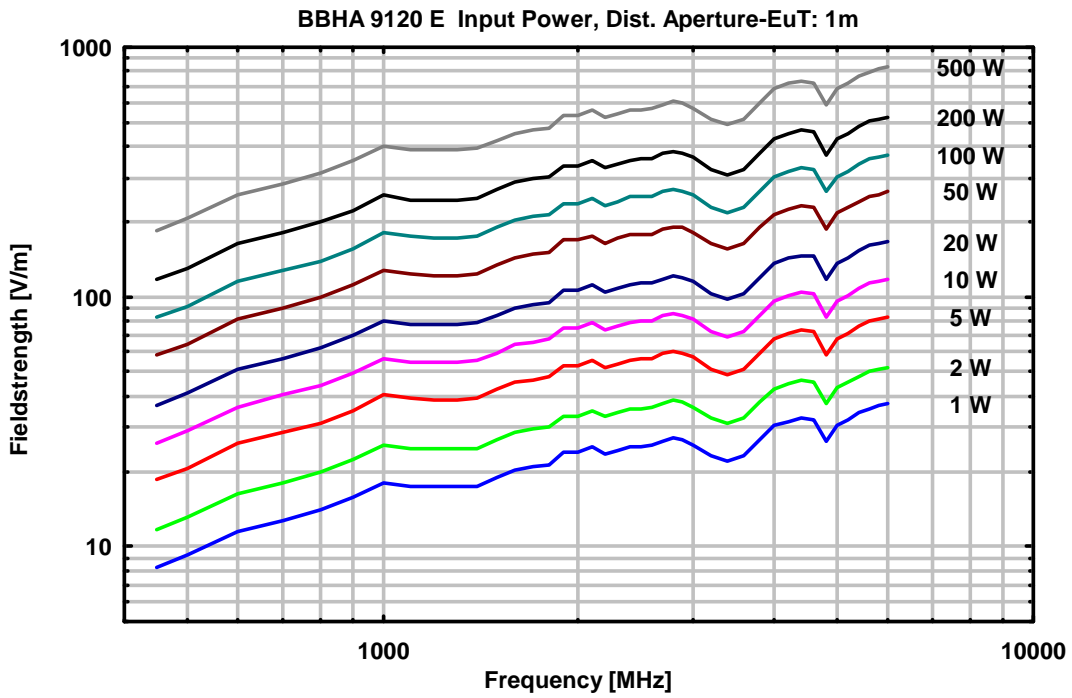
**Erzeugung definierter Feldstärken BBHA 9120 E**  
**Generating defined Field Strength BBHA 9120 E**



Entfernungsskizze Antenne-Prüfling (Immunitätsprüfung)  
*Distance Setup Antenna-EuT (Immunity Test)*

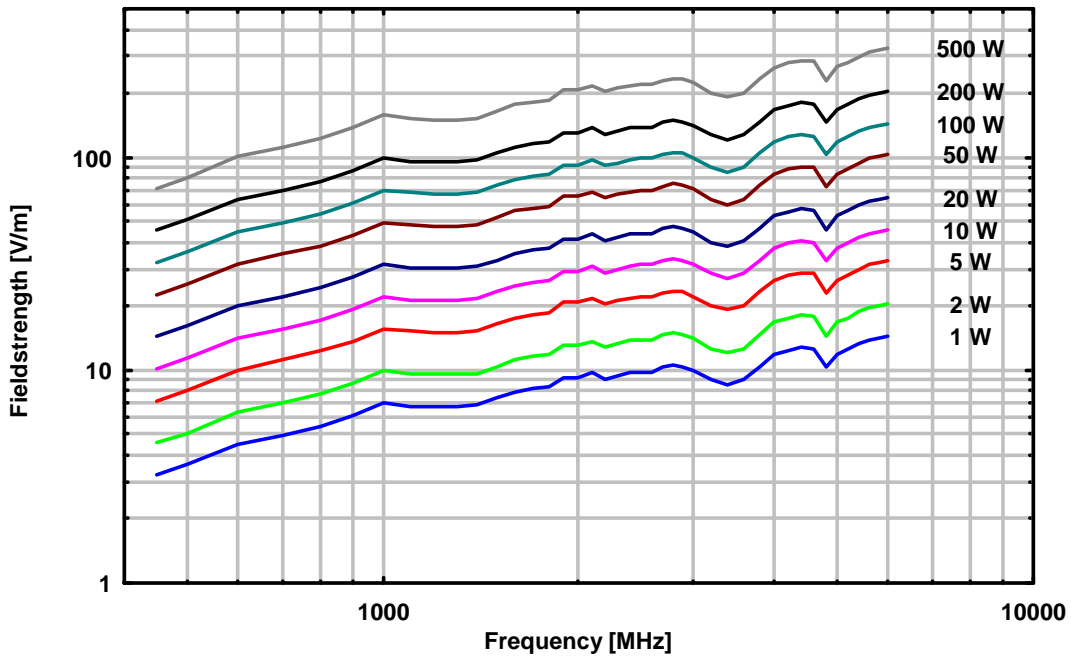
Erzeugung von Feldstärken unter Freiraumbedingungen vor der Vorderkante (sog. Aperturöffnung) der Hornantenne (siehe Skizze und Angaben bei den Kurvenscharen). Wenn Anteile von Umgebungsreflexionen vorhanden sind, kann dies zu einer frequenz- und höhenabhängigen Änderung der Feldstärke führen. Die Leistungsangaben beziehen sich auf eine 50  $\Omega$  Quellimpedanz und unmodulierte Hochfrequenz (CW). Bei 80% Amplitudenmodulation ist die 1.8-fache Spannungsaussteuerung erforderlich, was in einem ca. 3.24-fachen Leistungsbedarf resultiert.

*Field Strength generated under free-space conditions at a separation from the antenna aperture plane (see diagrams for several combinations of power and distance). If environmental reflections are present, this may lead to frequency and height dependent field strengths. The Power figures refer to a 50  $\Omega$  Source and an unmodulated (cw) signal. An 80% Amplitude Modulation requires a 1.8 times higher voltage, resulting in 3.24 times higher power compared to cw.*





BBHA 9120 E Input Power, Dist. Aperture-EuT: 3 m



BBHA 9120 E Input Power, Dist. Aperture-EuT: 4 m

