



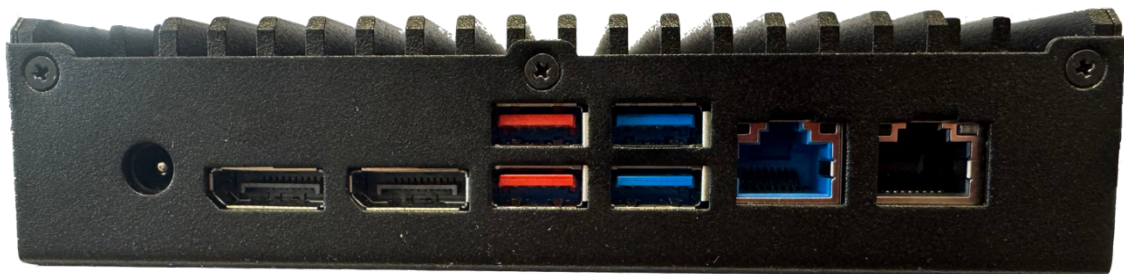
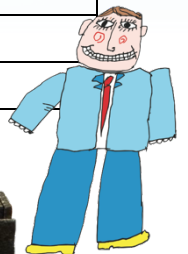
EM-160-LPFL_K3921

Barebone – Industrial solution



SPECIFICATION

Chassis	154(L)x151,9(W)x36mm(H) (without DIN clip), 154(L)x151,9(W)x39,5mm(H) (with DIN clip), Weight ~1,5kg
	Color: Black, from 20 pcs could be customized
	Material: zinc steel /aluminium
	Mounting options – DIN clip / wallmount
	Customizable front panel (optional - laser marking logo)
Drive bays and internal positions	MB: 140 x 148 mm, mSTX (Kontron K3921-Nx/Hx)
Front panel	Reset button
	1x USB 3.2 Gen1, 1x USB Type-C 3.2 Gen1 with alternate PowerDelivery mode
	Headphone + Microphone
Rear panel	2x USB 3.2 Gen2, 2x USB 3.2 Gen1, 1x COM (optional)
	2x Display port V1.4a up to 4K
	1x LAN (2,5GbE, incl. Teaming), 1x LAN (1GbE)
	1x DC-In



ALL PRODUCT SPECIFICATIONS ARE SUBJECT TO CHANGE WITHOUT NOTICE.

EMKO IPC S.R.O., ŘÍPSKÁ 11F, 627 00 BRNO – SLATINA, CZECH REPUBLIC

TEL.: (+420) 515 917 670, WWW.EMKOIPC.COM, INFO@EMKOIPC.COM





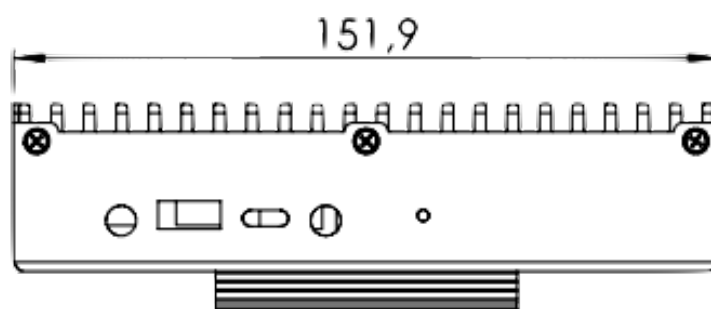
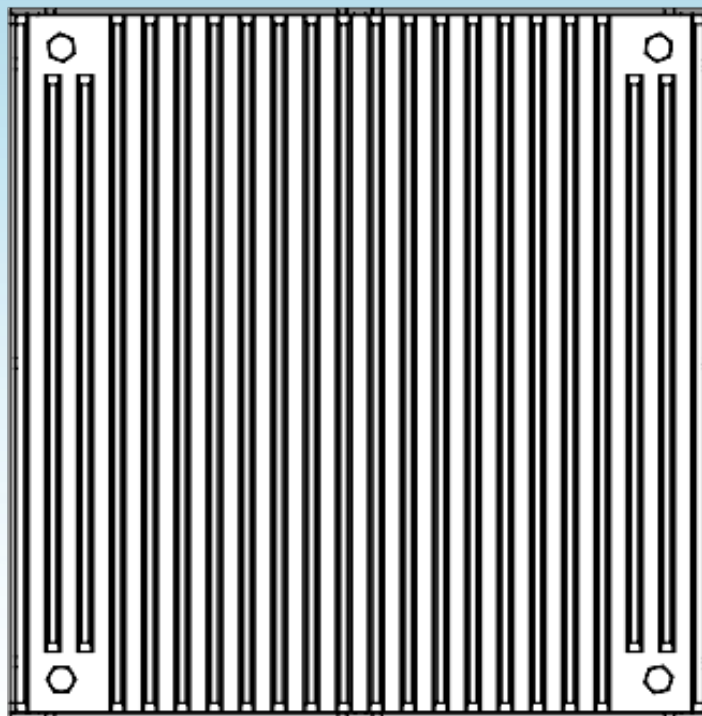
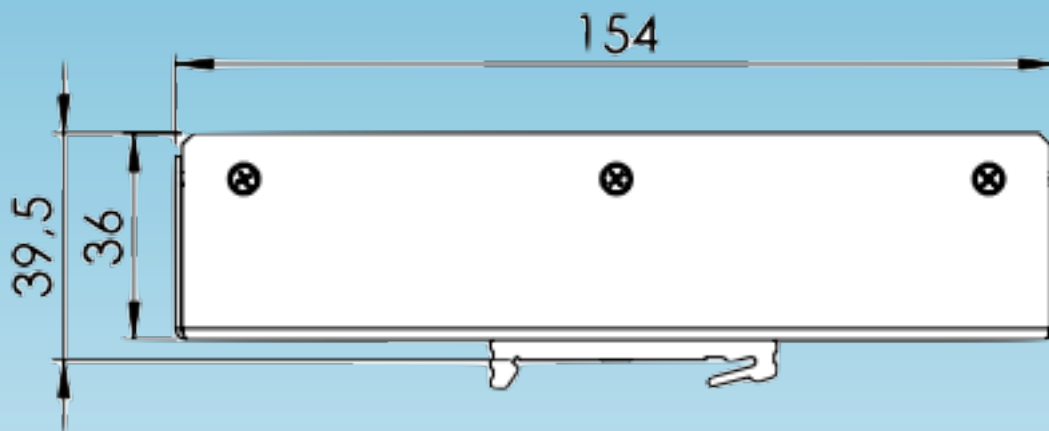
EM-160-LPFL_K3921

System Chipset / CPU	Intel Alder Lake N SoC series
	K3921-N1: Intel® Processor N50 (2C/6W) SoC K3921-N2: Intel® Processor N97 (4C/12W) SoC K3921-H1: Intel® Processor N100 (4C/6W) SoC K3921-N3: Intel® Processor N150 (4C/6W) SoC K3921-N4: Intel® Processor N200 (4C/6W) SoC K3921-N6: Intel® Processor i3-N305 (8C/15W) SoC K3921-N7: Intel® Processor i3-N355 (8C/15W) SoC
Memory	DDR5-4800MHz, SO-DIMM, non-ECC, max 32GB
Storage	1x M.2 PCIe 2230/2242/2280 (Key-M, Pcie x2 Gen3/NVMe modules) 1x M.2 PCIe 2230 (Key-E, WLAN PCIe + CNVi support / Bluetooth USB modules)
Ethernet	Interface – 2x RJ-45 <ul style="list-style-type: none"> - 1x 1GbE REALTEK RTL8111H + support Wake-on-LAN (WoL) - 2x 2,5GbE REALTEK RTL8125BG-CG + support Wake-on-LAN (WoL)
Graphics	Up to 3x external DisplayPortx V1.4a (2x DPP, 1x DPoC, up to 4K) 1x Embedded DP (eDP V1.4b up to 4K resolution) 1x Dual-Channel 24bit LVDS Combinations supported: <ul style="list-style-type: none"> - 2xDPP + 1x DPoC - 2x DPP + LVDS / eDP - 1x DPP + 1x DPoC + eDP / LVDS
Power supply requirements	Source: <ul style="list-style-type: none"> - DC-in (12V / 19-28V), max MB input – 100W - USB-C (20V PD Sink), max MB input – 100W
Product features	HW Watchdog, cTDP, TPM V2.0 (Intel integrated) Win 10, Win11, Linux support, incl. Win IoT version





Chassis dimensions (mm):



ALL PRODUCT SPECIFICATIONS ARE SUBJECT TO CHANGE WITHOUT NOTICE.

EMKO IPC S.R.O., ŘÍPSKÁ 11F, 627 00 BRNO – SLATINA, CZECH REPUBLIC

TEL.: (+420) 515 917 670, WWW.EMKOIPC.COM, INFO@EMKOIPC.COM

