

Lx 500

Research Microscopy

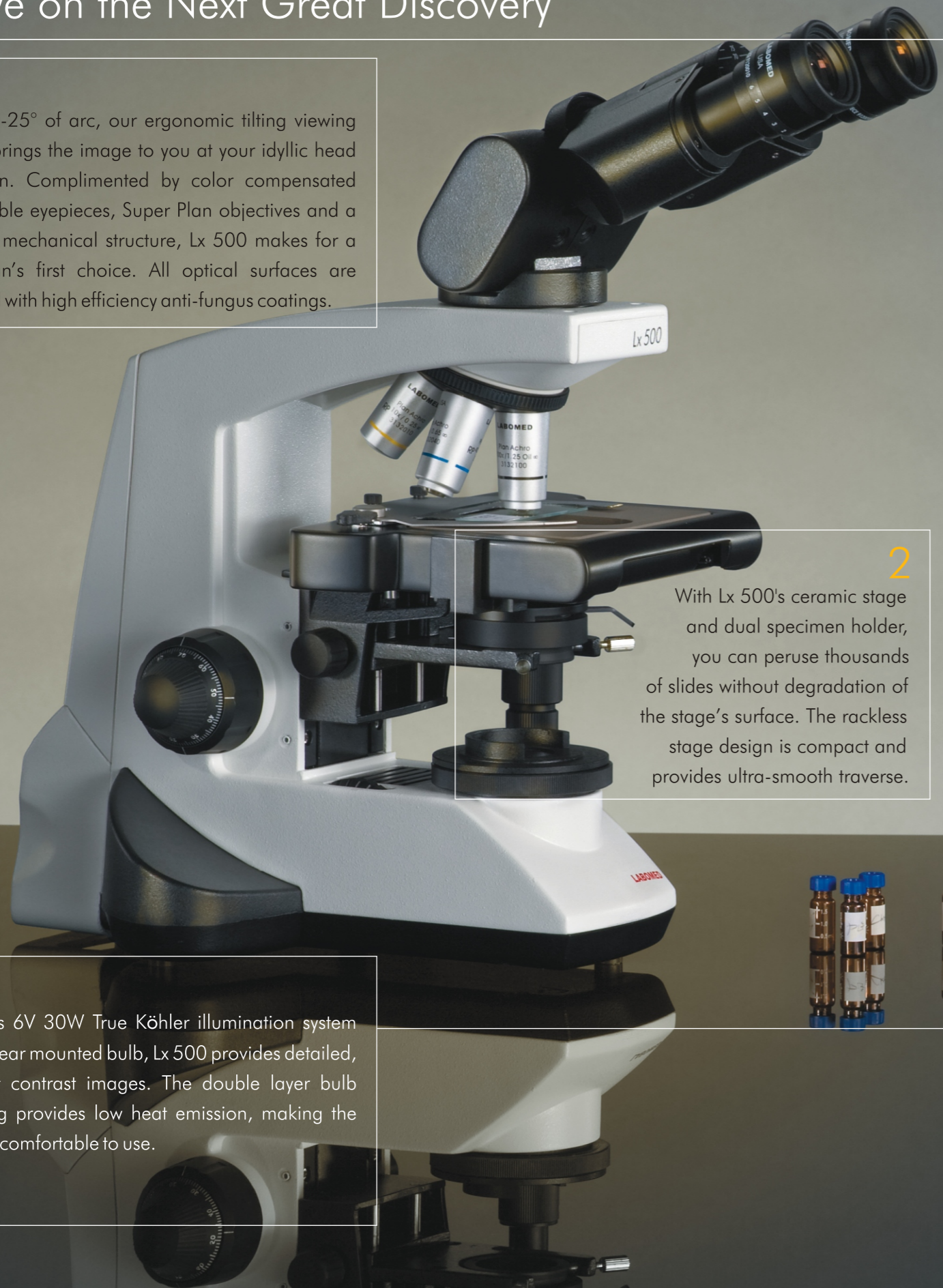


**LABOMED**  
ideas for vision

# An Eye on the Next Great Discovery



1 With 0-25° of arc, our ergonomic tilting viewing body brings the image to you at your idyllic head position. Complimented by color compensated focusable eyepieces, Super Plan objectives and a robust mechanical structure, Lx 500 makes for a clinician's first choice. All optical surfaces are treated with high efficiency anti-fungus coatings.



2 With Lx 500's ceramic stage and dual specimen holder, you can peruse thousands of slides without degradation of the stage's surface. The rackless stage design is compact and provides ultra-smooth traverse.

3 With its 6V 30W True Köhler illumination system and a rear mounted bulb, Lx 500 provides detailed, highest contrast images. The double layer bulb housing provides low heat emission, making the system comfortable to use.

## Lx 500

Where there is quality, so should there be economy. This philosophy carried through at every critical step of designing Lx 500. With its graceful symmetry and its highly ergonomic features, this microscope speaks to today's researchers who understand that affordability and reliability need not be mutually exclusive.

Lx 500 is the outcome of a combination of world-class technology and design innovation. With its feature rich platform configuration and a host of accessories, Lx 500 is a versatile and fully extendable research microscopy system.

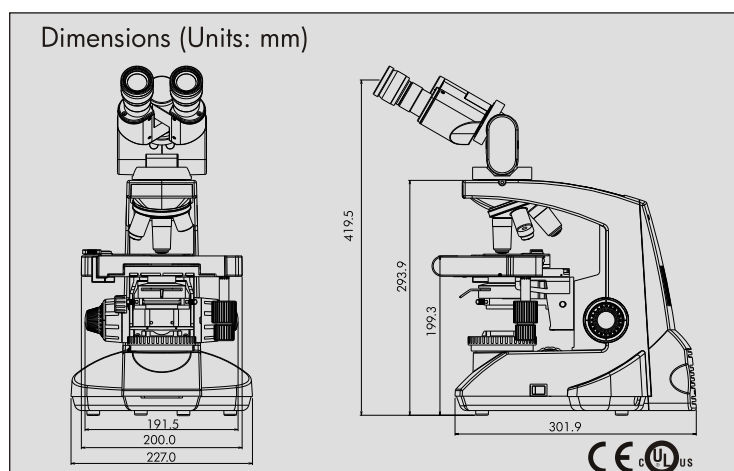
Lx 500 is truly where economy meets first class.



## Lx 500 Research Microscope

Specifications

Item	Specifications
- Stand	Single mold sturdy stand with anti rust materials. Extended base for better stability
- Viewing Bodies	Siedentopf Binocular and Trinocular head, 30° inclined/ Ergonomic Binocular, 0° - 25° inclinable, 360° rotatable, Inter pupillary distance 47 - 75mm
- Eyepiece	Focusable wide field eyepiece* 10x/22mm with foldable eye guard
- Nosepiece	Reverse angle quintuple nosepiece (Ball bearing type) with click stops and rubber grip
- Objectives	RP series Infinity Corrected DIN Plan Achromatic objectives* 4x (WD 30.0MM), 10x (WD 7.00MM), 40x (WD 0.65MM) (spring loaded), 100x (WD 0.23MM) (spring loaded, oil) anti fungus
- Mechanical stage	Rackless X axis Ceramic double plate stage, size 200 x 160mm, X/Ytravel range 76mm x 50mm. Double specimen holder
- Condenser	Flip top sub stage Abbe condenser NA 1.25 with aspheric lens*. Iris diaphragm with blue daylight filter. Rack and pinion movements on stainless steel guides
- Focusing	Co-axial coarse and fine focusing on gear systems for smooth operation. Fine adjustment 0.3mm/rotation
- Illumination	Full Köhler illumination with halogen 6V-30W lamp with variable illumination control
- Electrical	Universal input 100V - 240V AC, 50/60Hz. Built in voltage stabilizer.
- Optional accessories	Zernike Phase contrast kit 10x/20x/40x/100x RP series Phase Plan Achromatic objectives, Dark field kit, Simple Polarizer/Analyzer, Fluorescence attachment, Dual view attachment, Video adapter



### Configurations

Description	Configuration	Cat. No.
<b>Siendentopf 30°</b>		
Standard, 30W	Binocular	9144200
Standard, 30W	Trinocular	9144300
Phase, 30W	Binocular	9144400
Phase, 30W	Trinocular	9144500
<b>Ergonomic 0°-25°</b>		
Standard, 30W	Binocular	9144000
Phase, 30W	Binocular	9144100

\* All optical components are made of environment friendly LEAD free optical glass.

### Labo America, Inc.

920 Auburn Court  
Fremont, CA 94538  
U.S.A.

Tel: (510) 445-1257  
Fax: (510) 991-9862  
Email: sales@laboamerica.com



ISO 9001:2008  
File No. A9020

laboamerica.com

Distributor